

LOS RIOS COMMUNITY COLLEGE DISTRICT

PURCHASING: (916) 568-3071 ACCOUNTING: (916) 568-3065

FAX: (916) 568-3145

PURCHASE ORDER NO
CANCELED PO

0003015427

PLEASE SEE REVERSE SIDE FOR SPECIAL INSTRUCTIONS, TERMS
AND CONDITIONS.

Date	Revision	Page
01/02/2014	1 - 03/06/2014	1
Payment Terms	Freight Terms	Ship Via
NET 30	Shipping Point	Best Metho
Reference:		
3004536 JOHNSONC POONV		PE

Vendor: 0000022641
ATS SPORTS
PO BOX 644066
PITTSBURGH PA 15264-4066

Phone: (800) 866-7071

email: www.atssports.com

Ship To: FOLSOM LAKE COLLEGE
RECEIVING
10 COLLEGE PARKWAY
FOLSOM CA 95630
United States

Bill To: 1919 Spanos Court
Sacramento CA 95825-3981
United States

Tax Exempt? N	Use Tax Applicable: Y	Line-Sch	Item/Description	Quantity	UOM	PO Price	Extended Amt	Due Date
		1- 1	SCREEN, PREMIUM 9' CSTS900	9,072.00	FT	0.80	0.00	CANCEL
		2- 1	DROP, TY-RAPS (50 LBS) CTYRD00	17.00	EA	7.00	0.00	CANCEL
		3- 1	DROP, TY-RAPS (120 LB) CTYR100	17.00	EA	12.00	0.00	CANCEL
		4- 1	SHIPPING AND HANDLING	1.00	CHG	793.76	0.00	CANCEL

03/05/14 - CANCEL PO VENDOR DOES NOT PROVIDE INSTALLATION OF PRODUCT. NEW REQUISITION WILL BE ENTERED PER K.KIRKLIN - JA

REQUEST: D.O. PLEASE GET TWO COMPARATIVE QUOTES FOR BEST VENDOR OF REQUESTED ITEMS

QUOTE: 29315
TAX: \$606.45
PO TOTAL: \$ 8980.80

Sub Total Amount	0.00
Sales Tax Amount	0.00
Total PO Amount	0.00

<u>BU</u>	<u>Acct</u>	<u>Fd</u>	<u>Org</u>	<u>Prog</u>	<u>Sub</u>	<u>Proj</u>	<u>Amount</u>	<u>BYear</u>
							0.00	2014

0003004536KIRKLINK23-DEC-2013

All shipments, invoices, and correspondence must be identified with our Purchase Order Number. Overshipments will not be accepted unless authorized by Buyer prior to shipment.

Authorized Signature
Sk Walden 3/12/2014

Notice to vendor: You are responsible for delivering goods and delivery documents to the Receiving Department at the site. Failure to do so will delay payment processing. Vendor is responsible for obtaining verification of delivery by authorized Receiving Room personnel. Receipt of goods by other parties and failure to obtain authorized signatures may also delay payment. NOTE: PAYMENT TERMS NET 30 MATERIAL SAFETY DATA SHEETS (MSDS) must be provided with the delivery of product as required by law.

Best Vendor
Requisition

BID # 3004536

Vendor: ATS SPORTS
 PO BOX 644066
 PITTSBURGH PA 15264-4066
 United States

Business Unit:	COPFD	OPEN
Req ID:	Date	Page
0003004536	12/20/2013	1
Requester	Bidg#	
Colleen R Johnson	PE	
Requester Signature		
Buyer: Vivian Poon		
Approved:		

Ship To: RECEIVING
 10 COLLEGE PARKWAY
 FOLSOM CA 95630

Line-Schd	Description	Quantity	UOM	Price	Extended Amt	Due Date
1-1	CSTS900 PREMIUM SCREEN 9'	9,072	FT	0.80	7,257.60	01/13/2014
	ASSET DEPT: PE LOCATION: 04ATHC CATEGORY: ATHL 9072					
2-1	CTYRD00 TY-RAPS DROP (50 LBS)	17	EA	7.00	119.00	01/13/2014
	ASSET DEPT: PE LOCATION: 04ATHC CATEGORY: ATHL 17					
3-1	CTYR100 TY-RAPS (120 LB)	17	EA	12.00	204.00	01/13/2014
	ASSET DEPT: PE LOCATION: 04ATHC CATEGORY: ATHL 17					
4-1	SHIPPING	1	CHG	793.76	793.76	01/13/2014
	ASSET DEPT: PE LOCATION: 04ATHC CATEGORY: SHIPPING 1					

Total Requisition Amount: 8,374.36

REQUEST: D.O. PLEASE GET TWO COMPARATIVE QUOTES FOR BEST VENDOR OF REQUESTED ITEMS

QUOTE: 29315
 TAX: \$606.45
 PO TOTAL: \$ 8980.80

BU	Acct	Fd	Org	Prog	Sub	Proj	Amount
COPFD	6490	41	FL.VA.PROJ	08700	00100	046R	8,374.36

Purchases Charged to Catagorical Programs, Grants or Special Project.

This purchase is in compliance with the requirement of _____

For grants/special projects _____

 Name: _____

Approval Signature	Approval Signature	Approval Signature
--------------------	--------------------	--------------------

ATS Sports
 PO Box 644066
 Pittsburgh PA 15264-4066

Phone 800-866-7071

SOLD TO:

Folsom Lake College R3213
 1919 Spanos Ct
 Sacramento CA 95825

SHIP TO:

Folsom Lake College R3213
 Folsom Lake College
 Attn Receiving
 10 College Parkway
 Folsom CA 95630

SALESMAN 23 PO# VIA FEDEX GROUND TERMS CASH in ADVANCE

ITEM	DESCRIPTION	QTY	UNIT	B	ORD	FR	DRP	PRICE	AMOUNT
CSTS900	Premium Screen 9'	9072	sqft			A	Y	0.80	7257.60
CTYRD00	TY-RAPS DROP(50 lb)	17	"100"			A	Y	7.00	119.00
CTYR100	TY-RAPS DROP 120 lb.	17	"100"			A	Y	12.00	204.00

SUBTOTAL
 7580.60

TAX
 0.00

S & H
 793.76

TOTAL
 8374.36

PAYMENT IN ADVANCE

Haney, Brenda

From: Alford, Jennifer
Sent: Monday, January 27, 2014 11:35 AM
To: Kirklin, Kathleen
Cc: Haney, Brenda; Poon, Vivian
Subject: RE: Los Rios Community College District Buy 582469 CANCEL & 583385 TO REPOST , TENNIS WINDSCREENS , Int. Ref.# 3004536 -CXL

Hi Kathleen,

Thank you for providing timing on this project. We should be able to turn this around and deliver within your schedule.

Vivian – please cancel this buy on FedBid and let’s discuss specifications and timeline this afternoon at 230 pm. Thank you..

Jennifer Alford, M.A., CPPO

Purchasing Supervisor
(916) 568-3149
(916) 568-3145 fax
Los Rios Purchasing

From: Kirklin, Kathleen
Sent: Friday, January 24, 2014 3:45 PM
To: Alford, Jennifer
Cc: Haney, Brenda; Poon, Vivian
Subject: RE: Los Rios Community College District Buy 582469 CANCEL & 583385 TO REPOST , TENNIS WINDSCREENS , Int. Ref.# 3004536 -CXL

Hi Jennifer,

The courts will be finished by mid-March. Currently the fences are not in place around each court. We will need the windscreens installed immediately upon completion. I’m okay with cancelling but felt it important you are aware of our anticipated timeline for needing the windscreens.

Kathleen Kirklin

Vice President, Administration
Folsom Lake College
10 College Parkway
Folsom, CA 95630
P 916.608.6555
F 916.608.6584
kathleen.kirklin@flc.losrios.edu

From: Alford, Jennifer
Sent: Friday, January 24, 2014 3:36 PM
To: Poon, Vivian; Kirklin, Kathleen
Cc: Haney, Brenda
Subject: RE: Los Rios Community College District Buy 582469 CANCEL & 583385 TO REPOST , TENNIS WINDSCREENS , Int. Ref.# 3004536 -CXL

Cc: Alford, Jennifer; Haney, Brenda

Subject: Los Rios Community College District Buy 582469 CANCEL & 583385 TO REPOST , TENNIS WINDSCREENS , Int. Ref.# 3004536

Kathleen – the following details will be repost on Fedbid for sourcing. I have experienced difficult in adding the enclosed attachment. I will work with Fedbid to resolve this problem. Meanwhile, please take a look and let me know if there is any update to it. Please consider changing QTY to 1 lot instead of 9,072 ft., since measurements are detailed in the attachment and vendors need to do the measurement themselves? Thanks!

Lindsey - I have experienced difficult in add the enclosed attachment. Please help, thanks!

Confirm Buy Information 

Buy Description: TENNIS WINDSCREENS
Internal Description: Folsom Lake College
Solicitation No: 3004536
Set-Aside Requirement: No Set-Aside Restriction
End Date: 01/21/2014
End Time: 13:30 ET
Purchase Description: Meet or Exceed
Contract Vehicle: Open Market
Award Type: Purchase Order or Delivery Order
Seller Community: FedBid Seller Community (All qualified Sellers can bid)

Target Price / Suggested Sellers 

Total
Target Price: \$9,044.31 - Target Price is Active

Bid
Decrement: \$1

Company Name	Phone	Sales Rep	Email
ATS SPORTS	1800-866-7071		
First Service	707.781.1960, ext 13	Tom Helms	tom@clubstuff.com
DH Distribution – Tennis Supplies	(650) 563-9600	Dave Houston	evan@dhtennis.net

Hello,

This bid has not had any activity submitted since reposting after second attempt. I recommend cancel so I can evaluate further. Thanks.

Jennifer Alford, M.A., CPPO

Purchasing Supervisor

(916) 568-3149

(916) 568-3145 fax

Los Rios Purchasing

From: Poon, Vivian

Sent: Thursday, January 16, 2014 4:09 PM

To: ClientServices@FedBid.com; Lindsey.Imperioli@fedbid.com; Kirklin, Kathleen

Cc: Alford, Jennifer; Haney, Brenda; Karnitz, Kathy J.

Subject: FW: Los Rios Community College District Buy 582469 CANCEL & 583385 TO REPOST , TENNIS WINDSCREENS , Int. Ref.# 3004536

Importance: High

Kathleen - I have made the change, thanks!

Lindsey - I have experienced difficult in add the enclosed attachment. Are you able to help? Please advise, thanks!

From: Kirklin, Kathleen

Sent: Wednesday, January 15, 2014 4:55 PM

To: Poon, Vivian; ClientServices@FedBid.com; Lindsey.Imperioli@fedbid.com

Cc: Alford, Jennifer; Haney, Brenda

Subject: RE: Los Rios Community College District Buy 582469 CANCEL & 583385 TO REPOST , TENNIS WINDSCREENS , Int. Ref.# 3004536

Hi Vivian,

Regarding your request to consider changing QTY, please make the recommended change to 1 LOT. I agree that we don't need to be so specific since we want the vendor to do the measurements themselves.

Thanks for all your help on this and your patience while I worked through this with the department.

Kathleen Kirklin

Vice President, Administration

Folsom Lake College

10 College Parkway

Folsom, CA 95630

P 916.608.6555

F 916.608.6584

kathleen.kirklin@flc.losrios.edu

From: Poon, Vivian

Sent: Wednesday, January 15, 2014 2:31 PM

To: Kirklin, Kathleen; 'ClientServices@FedBid.com'; 'Lindsey.Imperioli@fedbid.com'

PREMIUM SCREEN

GAMMA Premium Screen windscreens is our most durable material, outlasting even Endura Screen. At 10.0 oz./sq. yd, Premium Screen gives you 30 percent more material than traditional 7 oz./sq. yard vinyl coated polyester. Available sizes include standard heights of 6' and 9' by lengths up to 60'. Custom heights are available upon request.

FABRIC AND CONSTRUCTION

Construction:	1000 denier vinyl coated micro-fiber yarn (18 x 14 ends per inch vs. 9 x 9 Endura Screen).
Fabric Weight:	10.0 oz. per square yard.
Tensile Strength:	360 x 320 pounds.
Weathering:	After 5000 hours in Weather Meter, (equivalent to 7 years exposure to Florida climate), fabric retained 96% of original strength and 98% of original color.
Sewn Hems:	Three-Ply hem sewn with two rows of lock-stitched thread (stronger than chain-stitched).
Thread:	High heat bonded polyester with UV inhibitors built into the yarn.
Grommets:	#2 brass grommets every 12" on all four sides.
Seams:	6' screens are solid panel (no Seams). 9' screens are prayer seamed at center of screen with RF weld and one row of black UV treated lock-stitched thread at the center of the screen (4.5") with grommets every 12". RF welding takes the place of any reinforcing tapes providing a stronger seam.
Colors:	Green, Black, Navy Blue, Royal Blue. Other colors are available by special order.
Logos:	Yes.

PREMIUM SCREEN - PRO RATED WARRANTY

GAMMA SPORTS("GAMMA") warrants to the original purchaser that the Premium Screen ("MATERIAL") purchased is free from defects in MATERIAL and workmanship for a period of SIXTY (60) months from the date of original Purchase. Should any defects develop under normal use within the specified time period, GAMMA will, at its option, repair or replace the defective MATERIAL provided it is returned to GAMMA prepaid at the purchaser's expense. This warranty does not apply to any damage or defect caused by incorrect installation, negligence, abuse, misuse, unauthorized alteration, shipping, handling, or wear and tear as a result of normal use.

GAMMA's obligation under this warranty is limited to replacement, repair, whole or partial credit for the defective MATERIAL, and no one is authorized to promise any other liability. GAMMA shall, in no event be liable for any incidental or consequential damages. This warranty gives you specific legal rights and you may also have other rights which vary from state-to-state.

If MATERIAL is deemed to be defective, GAMMA will, at its option A) repair the material at no cost to the customer; or B) issue a credit for the pro-rated value applicable toward the purchase of an equal replacement. This credit is applicable only to the same MATERIAL or current equivalent.

To make a warranty claim on MATERIAL, purchaser must contact GAMMA customer service representative by calling 1-800-333-0337, outside the U.S., 412-323-0335. To expedite the process, Customer Service will request that purchaser send by email digital images of the defective MATERIAL and a written explanation of the warranty claim to a Customer Service Representative. Alternately, purchaser may send photographs of the defective MATERIAL and a written explanation of the warranty claim by mail to GAMMA (200 Waterfront Drive, Pittsburgh, PA, 15222). GAMMA will evaluate the damage from the digital images or photographs and respond to purchaser's claim.

If MATERIAL is deemed to be defective or GAMMA requires a closer inspection of the MATERIAL, GAMMA will issue a Return Authorization Number (RA#) and instructions for returning MATERIAL. MATERIAL sent to GAMMA without an RA# will be returned to the purchaser at purchaser's expense.

ENDURA SCREEN

GAMMA Endura Screen windscreens help solve the durability problems associated with lighter weight, less durable vinyl coated polyester windscreens. At 9.52 oz./sq. yd, Endura Screen gives you 25 percent more material than traditional 7 oz./sq. yard vinyl coated polyester. Due to the unique, patented Bonded Weave process, Endura Screen Windscreens are the second most durable, best looking and longest lasting windscreens (second to Premium) in the industry. Available sizes include standard heights of 6' and 9' by lengths up to 60'. Custom heights are available upon request.

FABRIC AND CONSTRUCTION

Construction:	1000 denier vinyl coated yarn - Bonded Woven to 80% mesh.
Fabric Weight:	9.52 oz. per square yard.
Tensile Strength:	235 x 200 pounds.
Weathering:	After 5000 hours in Weather Meter, (equivalent to 7 years exposure to Florida climate), fabric retained 90% of original strength and 95% of original color.
Sewn Hems:	Three-Ply including 18oz. vinyl coated polyester reinforcement insert strip sewn with two rows of chain stitched thread. Finished hem width is 1 1/2".
Thread:	Bonded polyester #138 carbon treated for UV resistance.
Grommets:	#2 brass grommets every 12" on all four sides.
Seams:	6' screens are solid panel (no Seams). 9' screens are lap seamed (three-ply) at center of screen (4 1/2') with two rows of chain stitched thread. This seam includes the center reinforcing tape which is a heavy duty, black UV treated polyester webbing with grommets every 12". Center reinforcing tape strengthens the lap seam and is used, in place of grommets through the screen material, to attach the center of 9' screen to the fence.
Colors:	Green or Black. Other colors are available by special order.
Logos:	Yes.

(Optional) Heat Seamed Hems : Wedge-welded, two ply hems. Finished hem width is 1 1/4". Eliminates potential failure of thread along the perimeter of the screen.

ENDURA SCREEN - PRO RATED WARRANTY

GAMMA SPORTS("GAMMA") warrants to the original purchaser that the Endura Screen ("MATERIAL") purchased is free from defects in MATERIAL and workmanship for a period of FORTY-EIGHT (48) months from the date of original Purchase. Should any defects develop under normal use within the specified time period, GAMMA will, at its option, repair or replace the defective MATERIAL provided it is returned to GAMMA prepaid at the purchaser's expense. This warranty does not apply to any damage or defect caused by incorrect installation, negligence, abuse, misuse, unauthorized alteration, shipping, handling, or wear and tear as a result of normal use.

GAMMA's obligation under this warranty is limited to replacement, repair, whole or partial credit for the defective MATERIAL, and no one is authorized to promise any other liability. GAMMA shall, in no event be liable for any incidental or consequential damages. This warranty gives you specific legal rights and you may also have other rights which vary from state-to-state.

If MATERIAL is deemed to be defective, GAMMA will, at its option A) repair the material at no cost to the customer; or B) issue a credit for the pro-rated value applicable toward the purchase of an equal replacement. This credit is applicable only to the same MATERIAL or current equivalent.

To make a warranty claim on MATERIAL, purchaser must contact GAMMA customer service representative by calling 1-800-333-0337, outside the U.S., 412-323-0335. To expedite the process, Customer Service will request that purchaser send by email digital images of the defective MATERIAL and a written explanation of the warranty claim to a Customer Service Representative. Alternately, purchaser may send photographs of the defective MATERIAL and a written explanation of the warranty claim by mail to GAMMA (200 Waterfront Drive, Pittsburgh, PA, 15222). GAMMA will evaluate the damage from the digital images or photographs and respond to purchaser's claim.

If MATERIAL is deemed to be defective or GAMMA requires a closer inspection of the MATERIAL, GAMMA will issue a Return Authorization Number (RA#) and instructions for returning MATERIAL. MATERIAL sent to GAMMA without an RA# will be returned to the purchaser at purchaser's expense.

VCP (Vinyl Coated Polyester)

GAMMA VCP is our better quality screen constructed of high tenacity polyester yarn, coated with vinyl to provide high resistance to sunlight and fading.

FABRIC AND CONSTRUCTION

Construction:	Vinyl coated polyester woven from 3 oz./sq. yard polyester yarn which is coated with a 4 oz./sq. yard dark poly-vinyl chloride
Fabric Weight:	7 oz. per square yard.
Tensile Strength:	230 x 200 pounds (grab method) 200 x 140 pounds (strip method).
Sewn Hems:	Four-Ply including 18oz. vinyl coated polyester reinforcement insert strip sewn with two rows of chain stitched thread. Finished hem width is 1 1/2".
Thread:	Bonded polyester #138 carbon treated for UV resistance.
Grommets:	#2 brass grommets every 12" on all four sides.
Seams:	6' screens are solid panel (no Seams). 9' screens are lap seamed (three-ply) at center of screen (4 1/2') with two rows of chain stitched thread. This seam includes the center reinforcing tape which is a heavy duty, black UV treated polyester webbing with grommets every 12". Center reinforcing tape strengthens the lap seam and is used, in place of grommets through the screen material, to attach the center of 9' screen to the fence.
Colors:	Green or Black. Custom colors include Light Green, Royal Blue, US Open Blue, Red, Orange, Tan, Yellow, Gray, Brown and White.
Logos:	Yes.

(Optional) Heat Seamed Hems : Wedge-welded, two ply hems. Finished hem width is 1 1/4". Eliminates potential failure of thread along the perimeter of the screen.

VCP - PRO RATED WARRANTY

GAMMA SPORTS ("GAMMA") warrants to the original purchaser that the VCP ("MATERIAL") purchased is free from defects in MATERIAL and workmanship for a period of THIRTY-SIX (36) months from the date of original Purchase. Should any defects develop under normal use within the specified time period, GAMMA will, at its option, repair or replace the defective MATERIAL provided it is returned to GAMMA prepaid at the purchaser's expense. This warranty does not apply to any damage or defect caused by incorrect installation, negligence, abuse, misuse, unauthorized alteration, shipping, handling, or wear and tear as a result of normal use.

GAMMA's obligation under this warranty is limited to replacement, repair, whole or partial credit for the defective MATERIAL, and no one is authorized to promise any other liability. GAMMA shall, in no event be liable for any incidental or consequential damages. This warranty gives you specific legal rights and you may also have other rights which vary from state-to-state.

If MATERIAL is deemed to be defective, GAMMA will, at its option A) repair the material at no cost to the customer; or B) issue a credit for the pro-rated value applicable toward the purchase of an equal replacement. This credit is applicable only to the same MATERIAL or current equivalent.

To make a warranty claim on MATERIAL, purchaser must contact GAMMA customer service representative by calling 1-800-333-0337, outside the U.S., 412-323-0335. To expedite the process, Customer Service will request that purchaser send by email digital images of the defective MATERIAL and a written explanation of the warranty claim to a Customer Service Representative. Alternately, purchaser may send photographs of the defective MATERIAL and a written explanation of the warranty claim by mail to GAMMA (200 Waterfront Drive, Pittsburgh, PA, 15222). GAMMA will evaluate the damage from the digital images or photographs and respond to purchaser's claim.

If MATERIAL is deemed to be defective or GAMMA requires a closer inspection of the MATERIAL, GAMMA will issue a Return Authorization Number (RA#) and instructions for returning MATERIAL. MATERIAL sent to GAMMA without an RA# will be returned to the purchaser at purchaser's expense.

PRO SCREEN

FABRIC AND CONSTRUCTION

- Construction:** 100% Polypropylene - 28 x 14 lath-leno weave
- Fabric Weight:** 5.2 oz. per square yard.
- Tensile Strength:** 280 x 140 pounds (grab method)
- Sewn Hems:** Four-Ply. 2" wide 18oz. vinyl coated polyester tape folded over windscreen edge and sewn with two rows of chain stitched thread. Finished hem width is 1".
- Thread:** Bonded polyester #138 carbon treated for UV resistance.
- Grommets:** #2 brass grommets every 12" on all four sides.
- Seams:** 6' screens are solid panel (no Seams).
9' screens are lap seamed (three-ply) at center of screen (4 1/2') with two rows of chain stitched thread. This seam includes the center reinforcing tape which is a heavy duty, black UV treated polyester webbing with grommets every 12". Center reinforcing tape strengthens the lap seam and is used, in place of grommets through the screen material, to attach the center of 9' screen to the fence.
- Colors:** Green or Black.
- Logos:** No.
- (Optional) Heat Seamed Hems :** Wedge-welded, two ply hems. Finished hem width is 1 1/4". Eliminates potential failure of thread along the perimeter of the screen.

PRO SCREEN - PRO RATED WARRANTY

GAMMA SPORTS("GAMMA") warrants to the original purchaser that the Pro Screen ("MATERIAL") purchased is free from defects in MATERIAL and workmanship for a period of TWENTY-FOUR (24) months from the date of original Purchase. Should any defects develop under normal use within the specified time period, GAMMA will, at its option, repair or replace the defective MATERIAL provided it is returned to GAMMA prepaid at the purchaser's expense. This warranty does not apply to any damage or defect caused by incorrect installation, negligence, abuse, misuse, unauthorized alteration, shipping, handling, or wear and tear as a result of normal use.

GAMMA's obligation under this warranty is limited to replacement, repair, whole or partial credit for the defective MATERIAL, and no one is authorized to promise any other liability. GAMMA shall, in no event be liable for any incidental or consequential damages. This warranty gives you specific legal rights and you may also have other rights which vary from state-to-state.

If MATERIAL is deemed to be defective, GAMMA will, at its option A) repair the material at no cost to the customer; or B) issue a credit for the pro-rated value applicable toward the purchase of an equal replacement. This credit is applicable only to the same MATERIAL or current equivalent.

To make a warranty claim on MATERIAL, purchaser must contact GAMMA customer service representative by calling 1-800-333-0337, outside the U.S., 412-323-0335. To expedite the process, Customer Service will request that purchaser send by email digital images of the defective MATERIAL and a written explanation of the warranty claim to a Customer Service Representative. Alternately, purchaser may send photographs of the defective MATERIAL and a written explanation of the warranty claim by mail to GAMMA (200 Waterfront Drive, Pittsburgh, PA, 15222). GAMMA will evaluate the damage from the digital images or photographs and respond to purchaser's claim.

If MATERIAL is deemed to be defective or GAMMA requires a closer inspection of the MATERIAL, GAMMA will issue a Return Authorization Number (RA#) and instructions for returning MATERIAL. MATERIAL sent to GAMMA without an RA# will be returned to the purchaser at purchaser's expense.

SHADE / SHADE PLUS

GAMMA Shade is an economical, attractive and durable choice for your windscreen needs. This revolutionary knitted material will not unravel when cut and is designed for do-it-yourself installation. Reinforced top and bottom edges are designed for simple Ty-Wrap attachment. Constructed from high density polyethylene with superior UV resistance for unmatched color retention. GAMMA Shade Plus features hemmed top and bottom edges with grommets every 12". GAMMA Shade Custom is hemmed with grommets on all four sides.

FABRIC AND CONSTRUCTION

Construction:	Woven 100% high-density monofilament polypropylene - 73% windbreak
Fabric Weight:	8 oz. per square yard.
Sewn Hems:	Two-Ply top and bottom edges (GAMMA Shade Plus) Two-Ply top, bottom and side edges (GAMMA Shade Custom).
Grommets:	#2 brass grommets every 12" on top and bottom edges (GAMMA Shade Plus) #2 brass grommets every 12" on all four sides (GAMMA Shade Custom).
Sizes:	6' x 120' Rolls / 9' x 120' Rolls (GAMMA Shade) 6' x 120' Rolls / 9' x 120' Rolls (GAMMA Shade Plus) 6' or 9' Height x Custom Length
Colors:	Green or Black.
Logos:	No.

SHADE / SHADE PLUS - PRO RATED WARRANTY

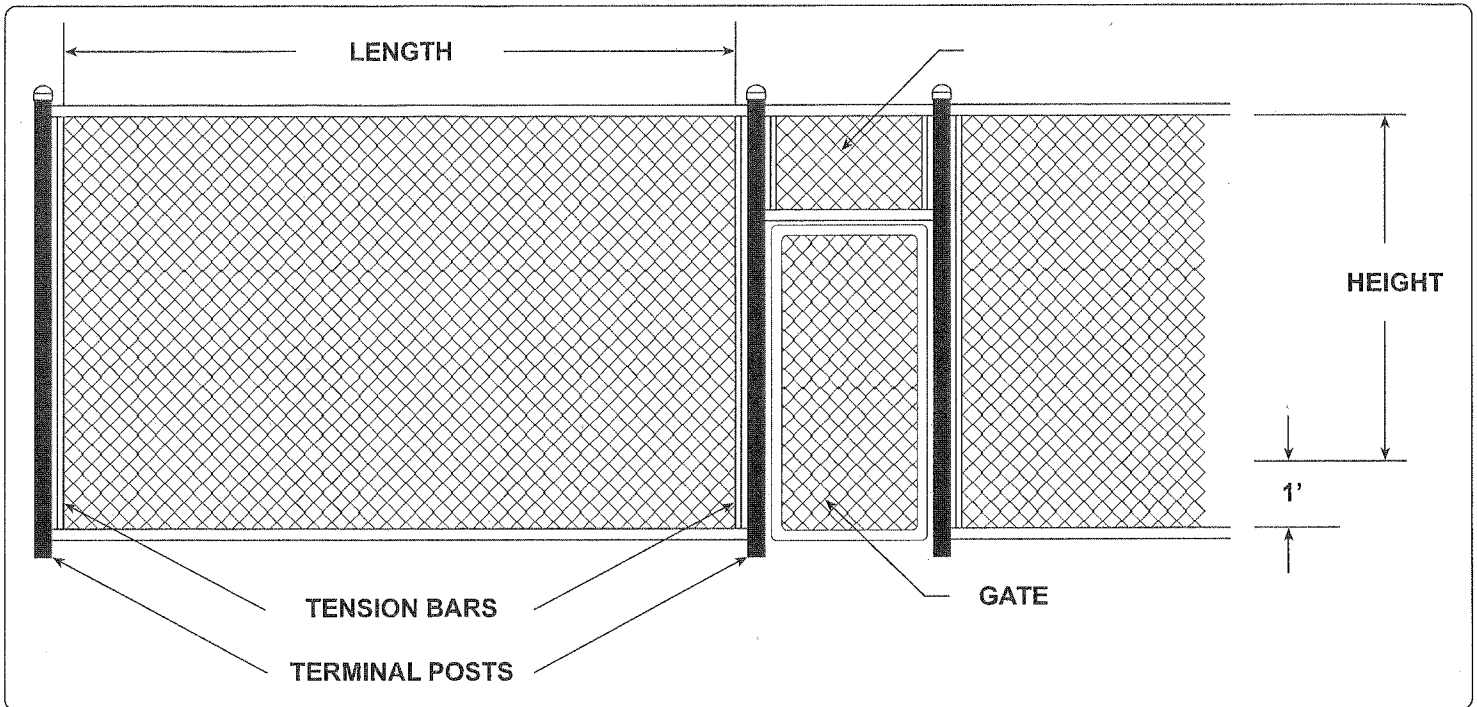
GAMMA SPORTS("GAMMA") warrants to the original purchaser that the Shade ("MATERIAL") purchased is free from defects in MATERIAL and workmanship for a period of THIRTY-SIX (36) months from the date of original Purchase. Should any defects develop under normal use within the specified time period, GAMMA will, at its option, repair or replace the defective MATERIAL provided it is returned to GAMMA prepaid at the purchaser's expense. This warranty does not apply to any damage or defect caused by incorrect installation, negligence, abuse, misuse, unauthorized alteration, shipping, handling, or wear and tear as a result of normal use.

GAMMA's obligation under this warranty is limited to replacement, repair, whole or partial credit for the defective MATERIAL, and no one is authorized to promise any other liability. GAMMA shall, in no event be liable for any incidental or consequential damages. This warranty gives you specific legal rights and you may also have other rights which vary from state-to-state.

If MATERIAL is deemed to be defective, GAMMA will, at its option A) repair the material at no cost to the customer; or B) issue a credit for the pro-rated value applicable toward the purchase of an equal replacement. This credit is applicable only to the same MATERIAL or current equivalent.

To make a warranty claim on MATERIAL, purchaser must contact GAMMA customer service representative by calling 1-800-333-0337, outside the U.S., 412-323-0335. To expedite the process, Customer Service will request that purchaser send by email digital images of the defective MATERIAL and a written explanation of the warranty claim to a Customer Service Representative. Alternately, purchaser may send photographs of the defective MATERIAL and a written explanation of the warranty claim by mail to GAMMA (200 Waterfront Drive, Pittsburgh, PA, 15222). GAMMA will evaluate the damage from the digital images or photographs and respond to purchaser's claim.

If MATERIAL is deemed to be defective or GAMMA requires a closer inspection of the MATERIAL, GAMMA will issue a Return Authorization Number (RA#) and instructions for returning MATERIAL. MATERIAL sent to GAMMA without an RA# will be returned to the purchaser at purchaser's expense.



MEASUREMENT GUIDELINES

1. When measuring for GAMMA Windscreen, exact measurements are required. Do not round off measurements to the nearest foot and do not assume that similar fence sections will have the same dimensions. Be sure to measure and record dimensions for each section that is to be screened.
2. It is always helpful to draw a diagram of the courts being measured. Then as measurements are taken, label each section (i.e. pc 1A - 56' 4"), to aid in the installation of your GAMMA Windscreen.
3. Make sure you begin measuring at one terminal post and continue to the next terminal post (where the screen section will end - windscreens should not be more than 60' long). Measure from inside tension bar to inside tension bar on the terminal posts. Do not measure around corners. Make sure there is no slack in the measuring tape or your screen will be too long when it arrives.
4. To measure the width of the gate, measure from inside tension bar to inside tension bar. The height of the gate should be measured from the bottom of the top bar to the point where you wish the point to end. The bottom of the gate screen should align with the bottom of the adjacent windscreens pieces.
5. The width of the transom (the section above the gate) should be measured inside tension bar to inside tension bar. The height should be measured from the top of the bottom bar to the bottom of the top bar.
6. The most important most important things to remember are that;
 - A) windscreens should cover the fence mesh only and
 - B) windscreens are generally installed one or more feet from the bottom of the fencing.

GAMMA Windscreens are custom fit products and are designed to add beauty and elegance to your courts for years. The small amount of time you take to make correct measurements will ensure the proper fit of GAMMA Windscreens and maximize your investment.

Attention to detail is the key to quality windscreen installation!

Correct installation of GAMMA Windscreen will ensure proper appearance and function, but improper installation will produce a poor appearance and shorten the lifespan of the windscreen. Utilizing the basic techniques outlined in this guide will result in the most aesthetic and professional installations.

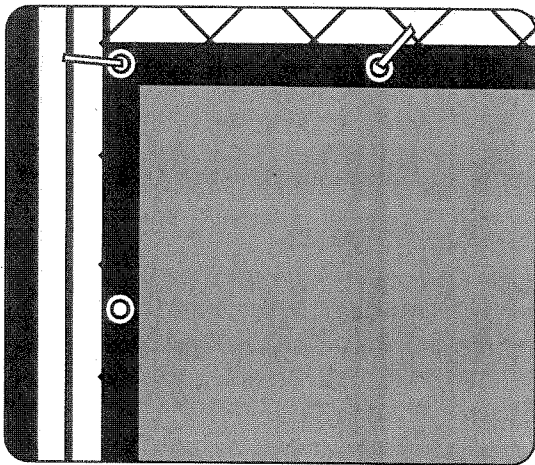


Figure 1.

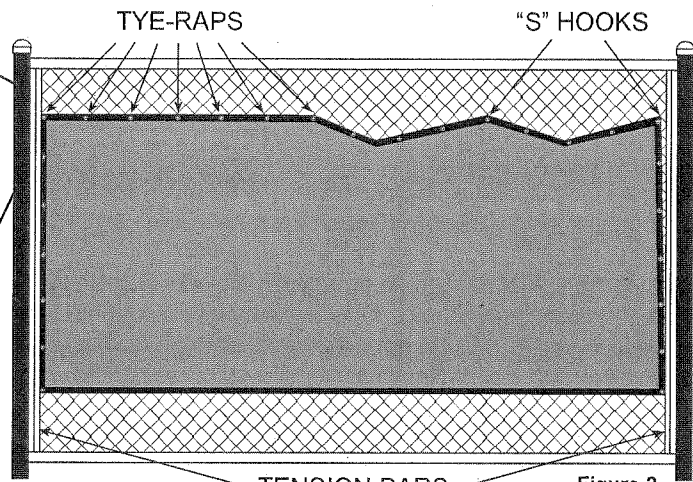
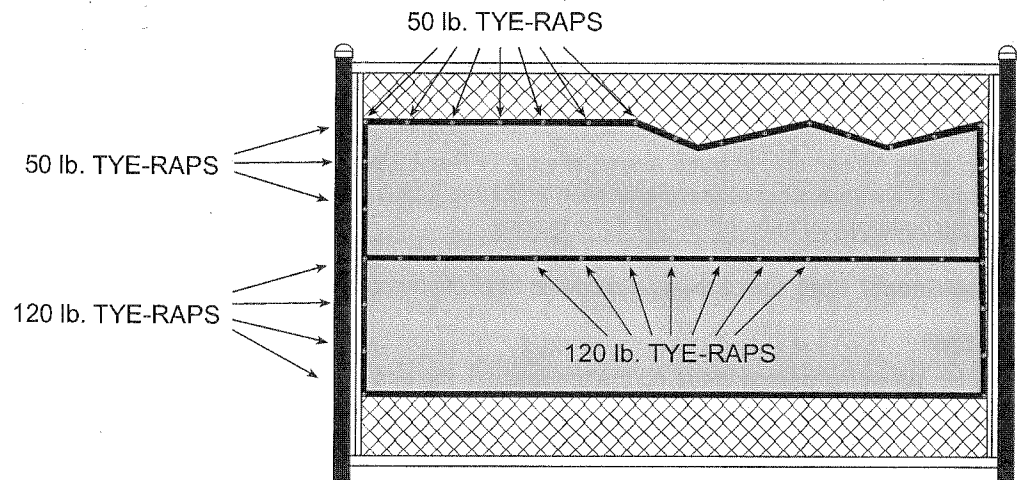


Figure 2.

FASTENERS

"Ty-Raps" (also known as zip ties) are recommended over any other fastening devices because they hold GAMMA Windscreen flat against the fence while providing a level of safety during high wind conditions.



For maximum protection, a combination of 50lb. and 120lb. Ty-Raps is recommended. Install the 50lb. Ty-Raps along the top and halfway down the sides of the windscreen. Install 120lb. Ty-Raps along the bottom and half way up the sides of the windscreen. This technique is recommended so that during high wind conditions, the 50lb. Ty-Raps will break, allowing the top to fold over the bottom, keeping the fence from being blown down and the windscreen from flapping against the abrasive court surface. This decreases the chance of wind damage, which is the number one cause of windscreen deterioration.

These instructions describe hanging windscreen starting on the left end and working toward the right end. If you are hanging windscreen from the right end toward the left end, simply reverse the directions. All of the many different types of screening fabrics are delivered as either rolled goods (rolled fabric with a reinforced edge) or panels (usually custom cut with hems and grommets). Installation is similar for both of these styles of product.

PREPARING FABRIC

For Panels: Spread the panel along the length of the fence, then use 2 or 3 metal "S" hooks to hang the entire panel. This will make it easier to keep the top edge of the panel lined up, and to insert the Ty-Raps.

For Rolled Goods: Unroll the screen along the fence about 10 to 15 feet, depending on the wind. On windy days unroll shorter lengths as high winds make it difficult to install the windscreen flat to the fence and tight.

BEGIN UPPER LEFT

Pick a horizontal row of chain link diamonds on the fence where you want the top of your windscreen to align. This will be your visual guide to keep the windscreen even all the way down the fence line. If the chain link is uneven you can use a level and stretch a string from tension bar to tension bar and use that as your reference.

For Panels: Line up the top edge of fabric so that it is even with your intended line of diamonds or string. Then line up the left end of your windscreen with the tension bar. Insert a Ty-Wrap in the top left corner to keep your position. Then use another Ty-Wrap to attach the windscreen to the tension bar. Check to make sure the top left corner of the windscreen is square (see Figure 1, A.).

For Rolled Goods: For rolled goods with unfinished ends, fold under 2" of material down the left edge of the fabric, create a hole using a hole-punch/awl, then insert the Ty-Wrap. This will give you a reinforced edge at the beginning. You will finish the other end the same way when you reach the tension bar.

Once the top left corner is squared properly, hang 5 Ty-Raps, each 1' apart along the top edge of the windscreen following the line of diamonds you previously selected or your leveling string. Angle the Ty-Raps slightly to the right to pull the screen flat and taut (see Figure 1, B.). Do not over tighten the Ty-Raps or you will create a wave effect along the top and bottom edges of the windscreen. Pull the Ty-Raps only tight enough to hold the windscreen tight along the top while keeping the fabric tight. You don't want to stretch the fabric, just keep it tight against the fence.

Now install Ty-Raps down the side of the screen following the inside of the tension bar. Again, place them at one-foot intervals and keep the material taut against the fence. For rolled goods, use your hold punch/awl to create Ty-Wrap holes through your folded fabric edge as you work your way down the tension bar.

CONTINUE HANGING

For Panels: As you install Ty-Raps along the top keep moving the closest "S" hook ahead of you by about 5' (see Figure 2). This will keep the windscreen aligned along the top and save you time.

On the top of the screen stay about 5' ahead of your Ty-Rap installation on the bottom edge. When installing the bottom 120lb. Ty-Raps, pull the wrinkles out of the windscreen and keep it taut. With two people installing (one installing the top and one installing the bottom) you can get the job done quickly.

For Rolled Goods: Keep the unrolling material in front of you so you have room to work.

AT THE END

For Panels: When the person installing the top reaches the end of the panel, install the final Ty-Rap then begin installing 50lb. Ty-Raps down the side until reaching the mid-point of the panel. At this point, pull the bottom right corner taut to remove any wrinkles. Now switch to 120lb. Ty-Raps and continue installing until you reach the bottom right corner.

For Rolled Goods: When the person on the top reaches the end of the roll or the tension bar, try to pull the windscreen flat to see where the edge should be. Then, cut about 3" in front of the edge and fold the excess windscreen underneath. Use your hole-punch/awl to make a hole in the top right corner and install a 50lb. Ty-Rap. Continue installing 50lb. Ty-Raps down the side every 12" through the folded edge until you reach the mid-point. At this point, pull the bottom right corner taut to remove any wrinkles. Now switch to 120lb. Ty-Raps and continue installing until you reach the bottom right corner.

REPEAT THE PROCESS

Once the first section of GAMMA Windscreen is installed, continue hanging the remaining sections using the same technique.

WINDSCREEN CARE

The number one cause of damage to a windscreen is wind whipping due to missing Ty-Raps. Make sure you regularly inspect your windscreen for missing or broken Ty-Raps and replace them immediately. Additional Ty-Raps can be purchased directly from GAMMA by calling 1-800-333-0337.